

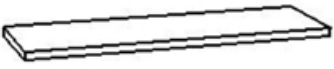




226206

				
Ax2	Bx1	Cx4	Dx12	Ex1

